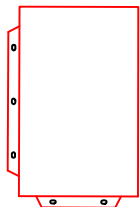


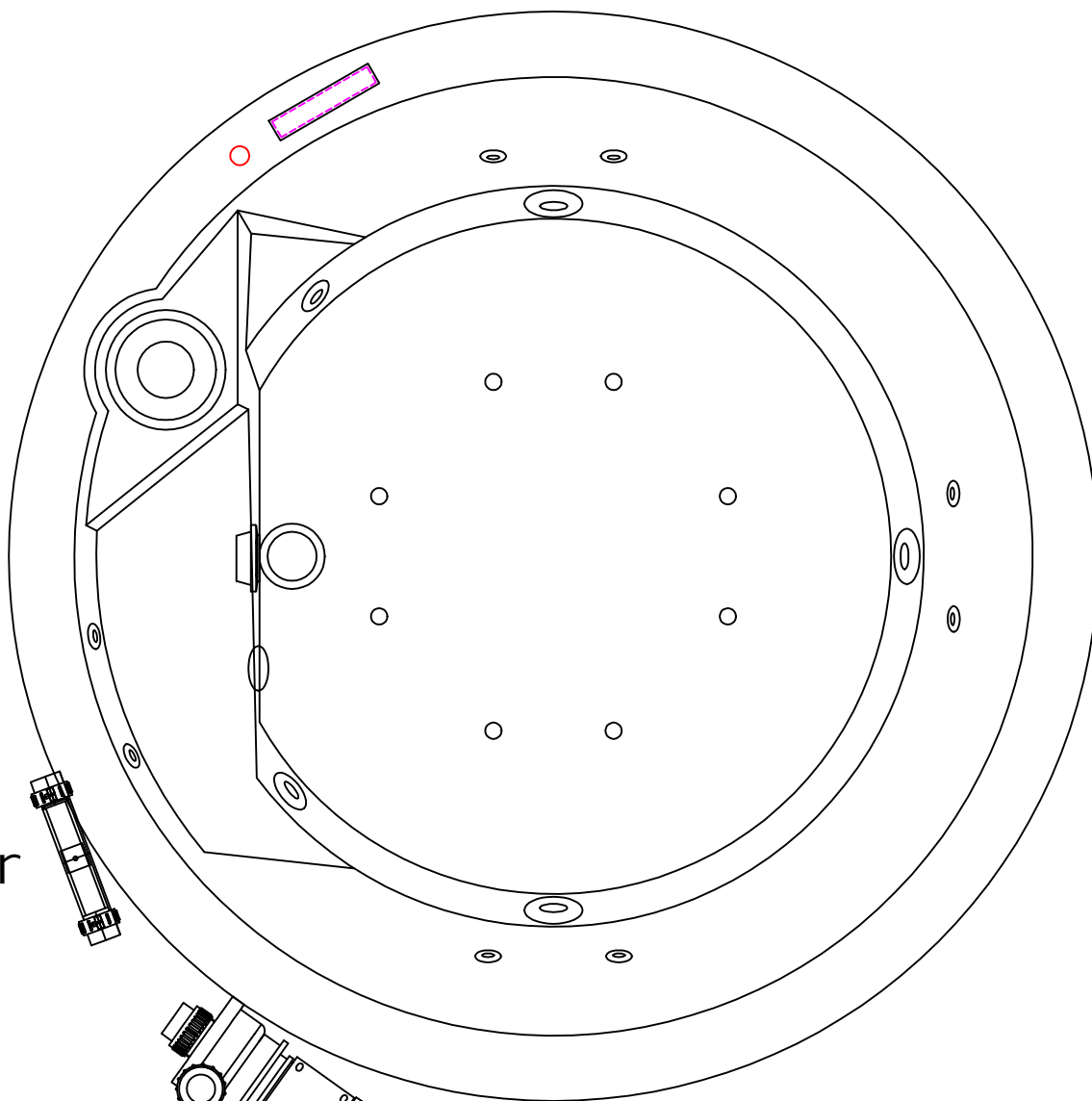
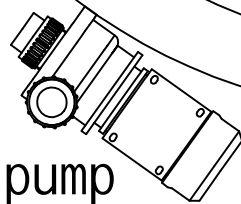
air pump  
400W



heater  
2000W



water pump  
1500W



AW-021

